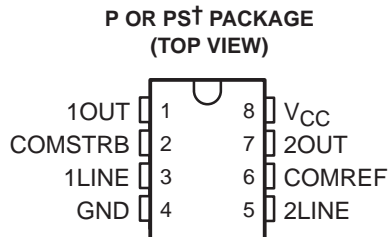


- Single 5-V Supply
- ± 100 -mV Sensitivity
- For Application as:
 - Single-Ended Line Receiver
 - Gated Oscillator
 - Level Comparator
- Adjustable Reference Voltage
- TTL Outputs
- TTL-Compatible Strobe
- Designed for Party-Line (Data-Bus) Applications
- Common Reference-Voltage Pin
- Common Strobe



† The PS package is only available left-ended taped and reeled (order SN75140 PSR).

description

This device consists of a dual single-ended line receiver with TTL-compatible strobes and outputs. The reference voltage (switching threshold) is applied externally and can be adjusted from 1.5 V to 3.5 V, making it possible to optimize noise immunity for a given system design. Due to the low input current (less than 100 μ A), the device is suited ideally for party-line (data-bus) systems.

The SN75140 has a common reference-voltage pin and a common strobe.

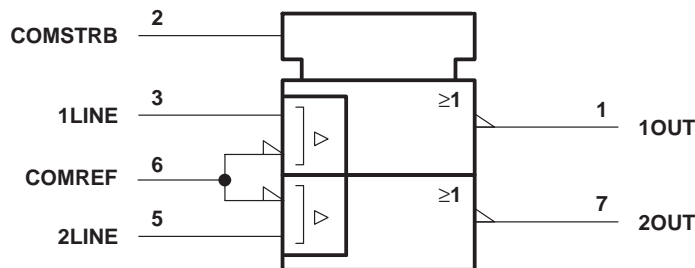
The SN75140 is characterized for operation from 0°C to 70°C.

FUNCTION TABLE
(each receiver)

LINE INPUT	STROBE	OUTPUT
$\leq V_{ref} - 100$ mV	L	H
$\geq V_{ref} + 100$ mV	X	L
X	H	L

H = high level, L = low level, X = irrelevant

logic symbol†‡



‡ This symbol is in accordance with ANSI/IEEE Std 91-1984 and IEC Publication 617-12.

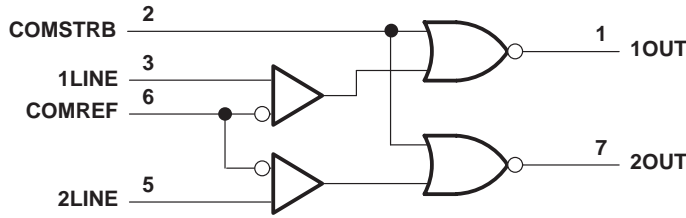


Please be aware that an important notice concerning availability, standard warranty, and use in critical applications of Texas Instruments semiconductor products and disclaimers thereto appears at the end of this data sheet.

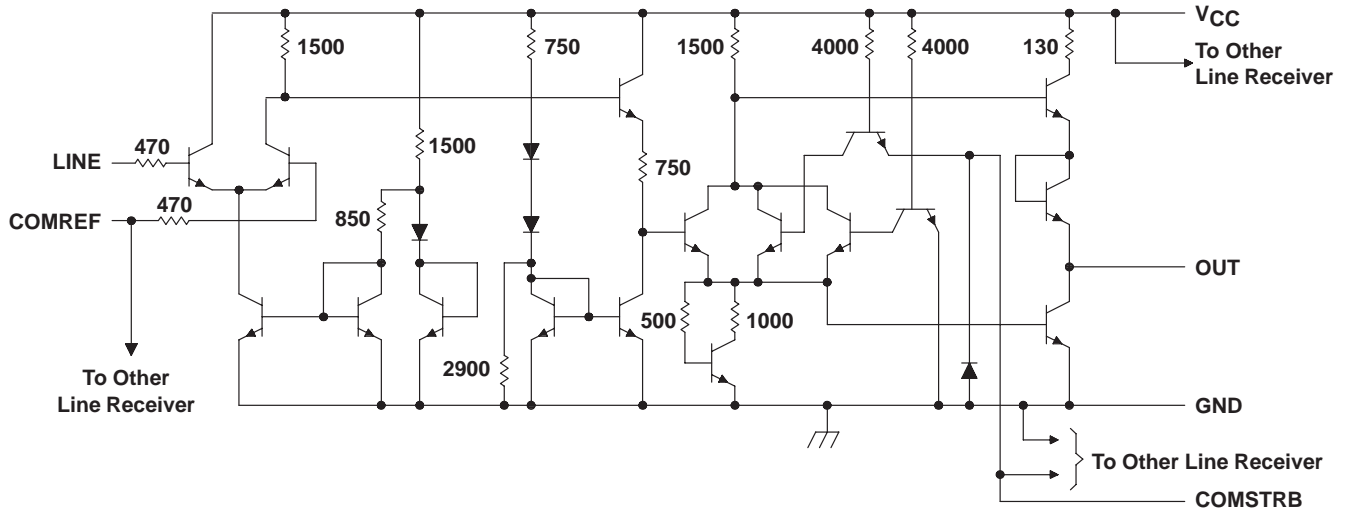
SN75140 DUAL LINE RECEIVER

SLLS080C – JANUARY 1977 – REVISED APRIL 1998

logic diagram (positive logic)



schematic (each receiver)



NOTE: Resistor values shown are nominal and in ohms.

absolute maximum ratings over operating free-air temperature range (unless otherwise noted)†

Supply voltage, V_{CC} (see Note 1)	7 V
Reference input voltage, V_{ref}	5.5 V
Line input voltage range with respect to GND	-2 V to 5.5 V
Line input voltage with respect to V_{ref}	± 5 V
Strobe input voltage	5.5 V
Continuous total power dissipation	See Dissipation Rating Table
Storage temperature range, T_{stg}	-65°C to 150°C
Lead temperature 1,6 mm (1/16 inch) from case for 10 seconds	260°C

† Stresses beyond those listed under "absolute maximum ratings" may cause permanent damage to the device. These are stress ratings only, and functional operation of the device at these or any other conditions beyond those indicated under "recommended operating conditions" is not implied. Exposure to absolute-maximum-rated conditions for extended periods may affect device reliability.

NOTE 1: Unless otherwise specified, voltage values are with respect to network ground terminal.

DISSIPATION RATING TABLE

PACKAGE	$T_A \leq 25^\circ\text{C}$ POWER RATING	DERATING FACTOR ABOVE $T_A = 25^\circ\text{C}$	$T_A = 70^\circ\text{C}$ POWER RATING
P	1000 mW	8.0 mW/°C	640 mW
PS	450 mW	3.6 mW/°C	288 mW

recommended operating conditions

	MIN	NOM	MAX	UNIT
Supply voltage, V_{CC}	4.5	5	5.5	V
Reference input voltage, V_{ref}	1.5		3.5	V
High-level line input voltage, $V_{IH(L)}$	$V_{ref}+0.1$		$V_{CC}-1$	V
Low-level line input voltage, $V_{IL(L)}$	0		$V_{ref}-0.1$	V
High-level strobe input voltage, $V_{IH(S)}$	2		5.5	V
Low-level strobe input voltage, $V_{IL(S)}$	0		0.8	V
Operating free-air temperature range, T_A	0		70	°C

electrical characteristics over recommended operating free-air temperature range, $V_{CC} = 5\text{ V} \pm 10\%$, $V_{ref} = 1.5\text{ V}$ to 3.5 V (unless otherwise noted)

PARAMETER		TEST CONDITIONS	MIN	TYP†	MAX	UNIT	
V_{IK}	Strobe input clamp voltage	$I_{I(S)} = -12\text{ mA}$			-1.5	V	
V_{OH}	High-level output voltage	$V_{IL(L)} = V_{ref} - 100\text{ mV}$, $V_{IL(S)} = 0.8\text{ V}$, $I_{OH} = -400\text{ }\mu\text{A}$	2.4			V	
V_{OL}	Low-level output voltage	$V_{IH(L)} = V_{ref} + 100\text{ mV}$, $V_{IL(S)} = 0.8\text{ V}$, $I_{OL} = 16\text{ mA}$			0.4	V	
		$V_{IL(L)} = V_{ref} - 100\text{ mV}$, $V_{IH(S)} = 2\text{ V}$, $I_{OL} = 16\text{ mA}$			0.4		
$I_{I(S)}$	Strobe input current at maximum input voltage	Strobe	$V_{I(S)} = 5.5\text{ V}$		1	mA	
		COMSTRB			2		
I_{IH}	High-level input current	Strobe	$V_{I(S)} = 2.4\text{ V}$		40	μA	
		COMSTRB			80		
		LINE	$V_{I(L)} = 3.5\text{ V}$,	$V_{ref} = 1.5\text{ V}$	35		100
		Reference	$V_{I(L)} = 0$,	$V_{ref} = 3.5\text{ V}$	35		100
COMREF			70	200			
I_{IL}	Low-level input current	Strobe	$V_{I(S)} = 0.4\text{ V}$		-1.6	mA	
		COMSTRB			-3.2		
		LINE	$V_{I(L)} = 0$,	$V_{ref} = 1.5\text{ V}$	-10	μA	
		Reference	$V_{I(L)} = 1.5\text{ V}$,	$V_{ref} = 0$	-10		
COMREF			-20				
I_{OS}	Short-circuit output current‡	$V_{CC} = 5.5\text{ V}$	-18		-55	mA	
I_{CCH}	Supply current, output high	$V_{I(S)} = 0$,		18	30	mA	
I_{CCL}	Supply current, output low	$V_{I(S)} = 0$,		20	35	mA	

† All typical values are at $V_{CC} = 5\text{ V}$, $T_A = 25^\circ\text{C}$.

‡ Only one output should be shorted at a time.

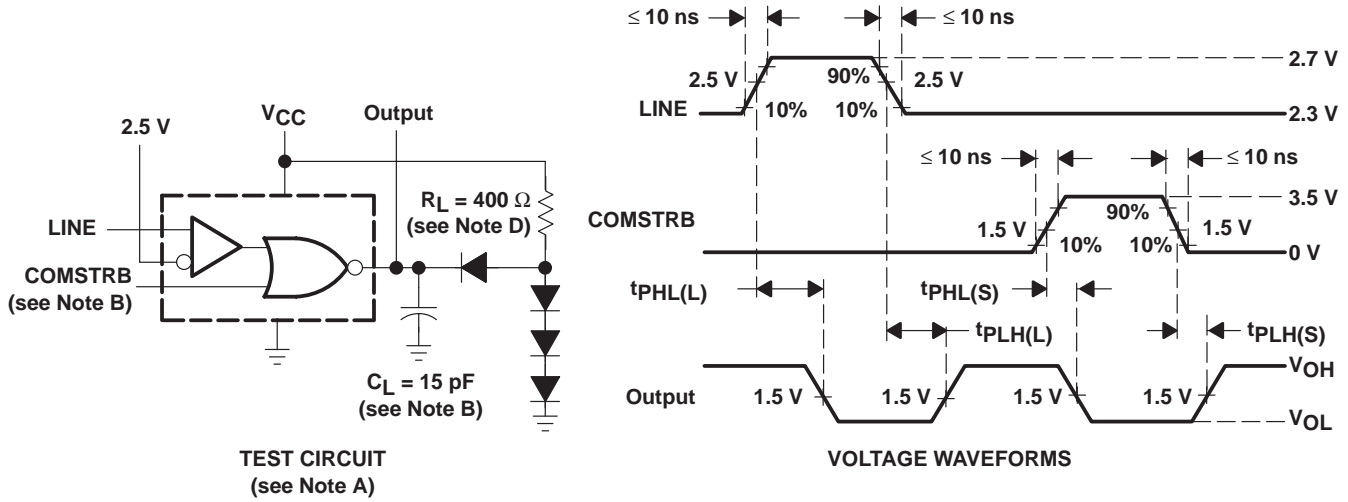
switching characteristics, $V_{CC} = 5\text{ V}$, $V_{ref} = 2.5\text{ V}$, $T_A = 25^\circ\text{C}$

PARAMETER		TEST CONDITIONS	MIN	TYP	MAX	UNIT
$t_{PLH(L)}$	Propagation delay time, low- to high-level output from LINE	$C_L = 15\text{ pF}$, $R_L = 400\text{ k}\Omega$, See Figure 1		22	35	ns
$t_{PHL(L)}$	Propagation delay time, high- to low-level output from LINE	$C_L = 15\text{ pF}$, $R_L = 400\text{ k}\Omega$, See Figure 1		22	30	ns
$t_{PLH(S)}$	Propagation delay time, low- to high-level output from COMSTRB	$C_L = 15\text{ pF}$, $R_L = 400\text{ k}\Omega$, See Figure 1		12	22	ns
$t_{PHL(S)}$	Propagation delay time, high- to low-level output from COMSTRB	$C_L = 15\text{ pF}$, $R_L = 400\text{ k}\Omega$, See Figure 1		8	15	ns

SN75140 DUAL LINE RECEIVER

SLLS080C – JANUARY 1977 – REVISED APRIL 1998

PARAMETER MEASUREMENT INFORMATION



- NOTES: A. Input pulses are supplied by generators having the following characteristics: PRR $\leq 1 \text{ MHz}$, duty cycle $\leq 50\%$, $Z_O = 50 \Omega$.
 B. Unused strobes are to be grounded.
 C. C_L includes probe and jig capacitance.
 D. All diodes are 1N3064.

Figure 1. Test Circuit and Voltage Waveforms

TYPICAL CHARACTERISTICS

OUTPUT VOLTAGE
vs
LINE INPUT VOLTAGE

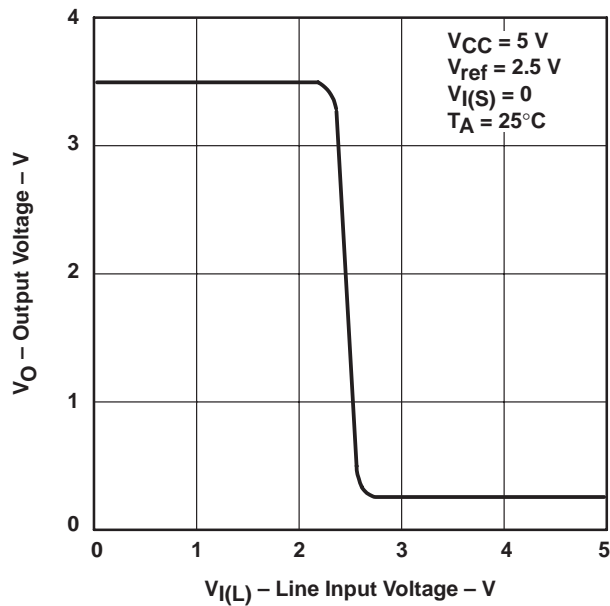


Figure 2

APPLICATION INFORMATION

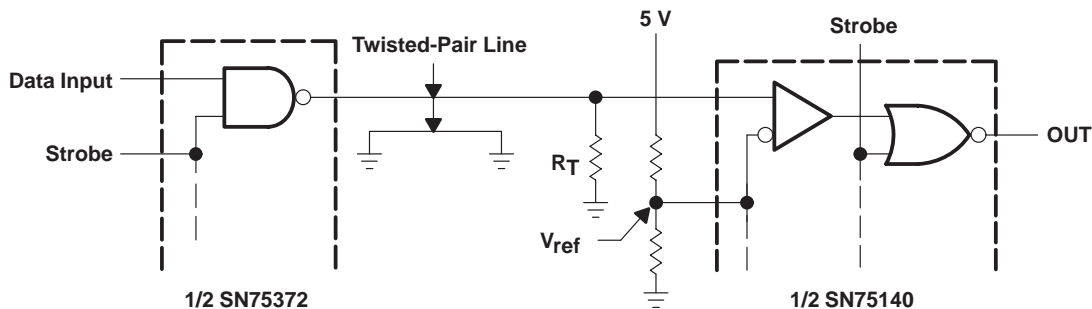
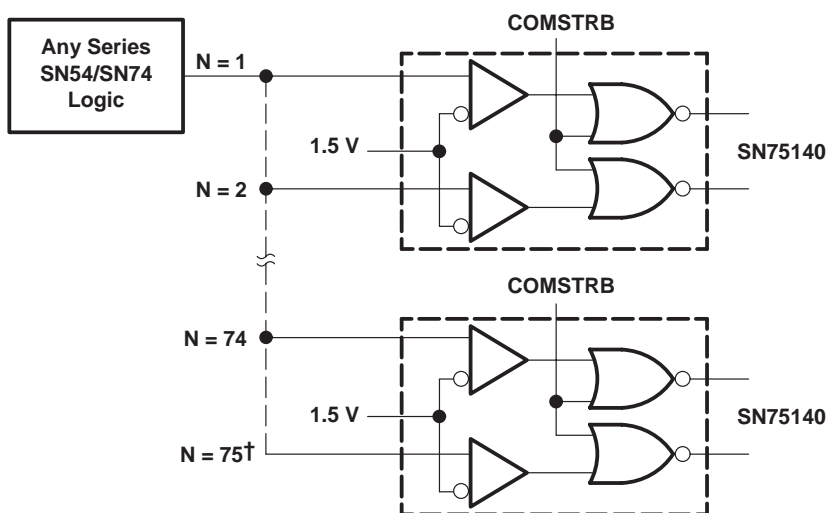


Figure 3. Line Receiver



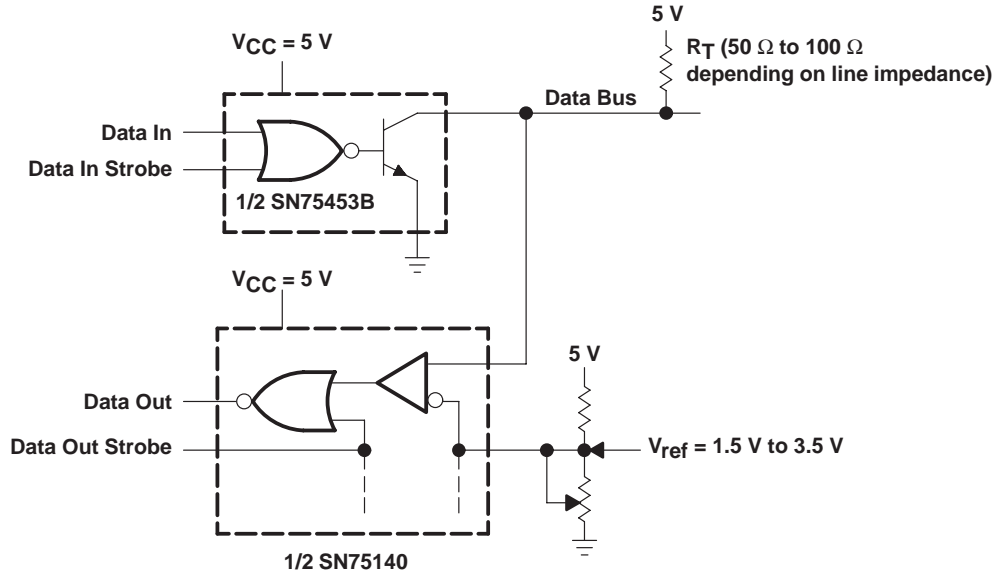
† Although most series SN54/SN74 circuits have a >2.4-V output at 400 μ A, they typically are capable of maintaining a >2.4-V output level under a load of 7.5 mA.

Figure 4. High Fanout From Standard TTL Gate

SN75140 DUAL LINE RECEIVER

SLLS080C – JANUARY 1977 – REVISED APRIL 1998

APPLICATION INFORMATION



NOTE A: Using this arrangement, as many as 100 transceivers can be connected to a single data bus. The adjustable reference-voltage feature allows the noise margin to be optimized for a given system. The complete dual bus transceiver (SN75453B driver and SN75140 receiver) can be assembled in approximately the same space required by a single 16-pin package and only one power supply is required (5 V). Data in and data out are TTL compatible.

Figure 5. Dual Bus Transceiver

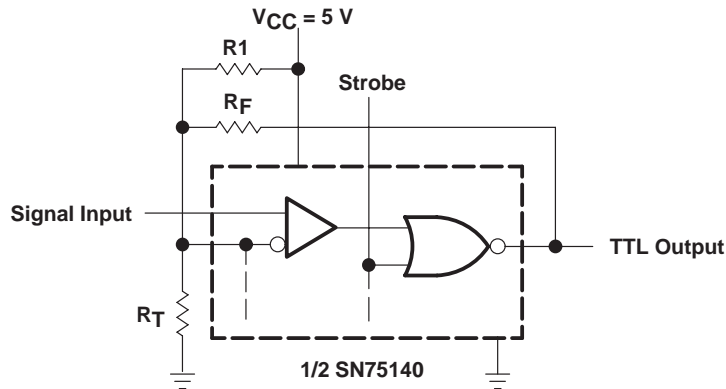
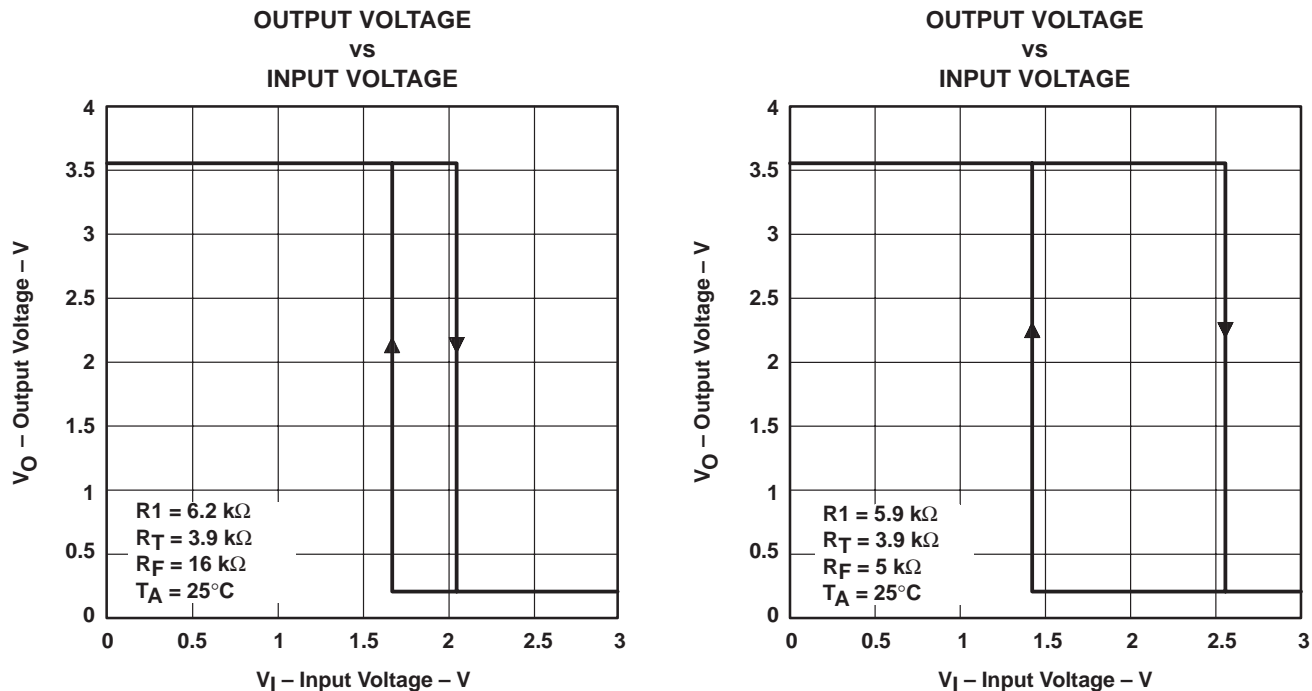


Figure 6. Schmitt Trigger

APPLICATION INFORMATION



NOTE A: Slowly changing input levels from data lines, optical detectors, and other types of transducers can be converted to standard TTL signals with this Schmitt-trigger circuit. R_1 , R_F , and R_T can be adjusted for the desired hysteresis and trigger levels.

Figure 7. Examples of Transfer Characteristics

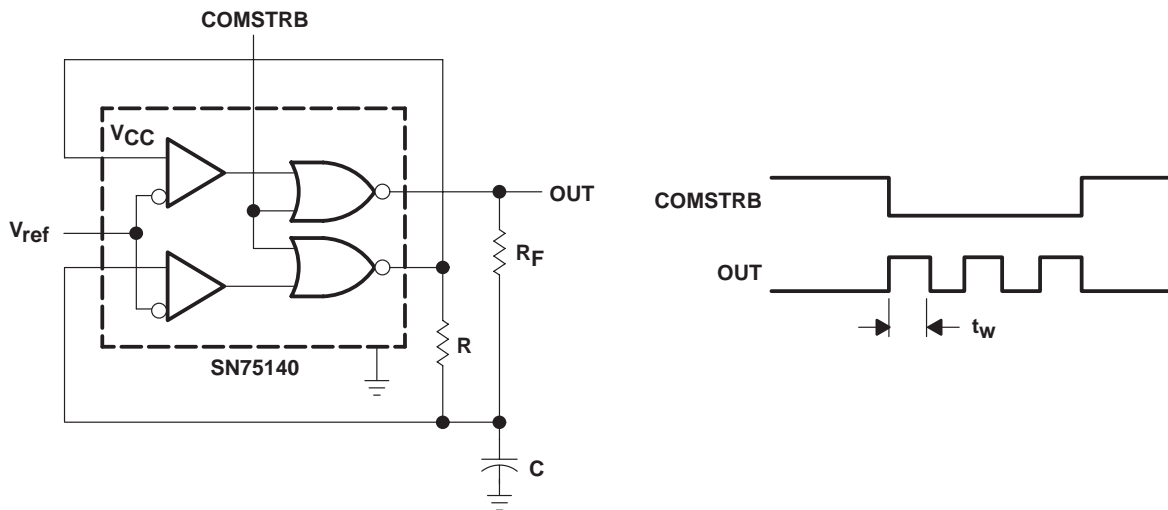


Figure 8. Gated Oscillator

APPLICATION INFORMATION

OSCILLATOR FREQUENCY
vs
RC TIME CONSTANT

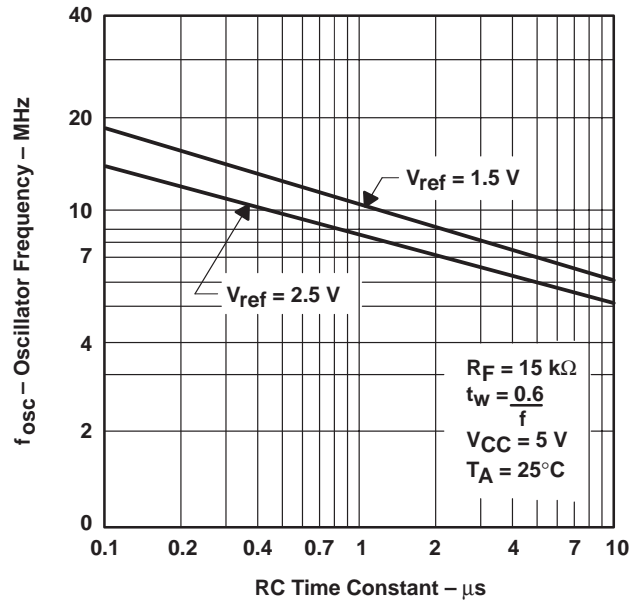


Figure 9

PACKAGING INFORMATION

Orderable Device	Status ⁽¹⁾	Package Type	Package Drawing	Pins	Package Qty	Eco Plan ⁽²⁾	Lead/Ball Finish	MSL Peak Temp ⁽³⁾
SN75140D	OBSOLETE	SOIC	D	8		TBD	Call TI	Call TI
SN75140DR	OBSOLETE	SOIC	D	8		TBD	Call TI	Call TI
SN75140JG	OBSOLETE	CDIP	JG	8		TBD	Call TI	Call TI
SN75140P	ACTIVE	PDIP	P	8	50	Pb-Free (RoHS)	CU NIPDAU	N / A for Pkg Type
SN75140PE4	ACTIVE	PDIP	P	8	50	Pb-Free (RoHS)	CU NIPDAU	N / A for Pkg Type
SN75140PSR	ACTIVE	SO	PS	8	2000	Green (RoHS & no Sb/Br)	CU NIPDAU	Level-1-260C-UNLIM
SN75140PSRE4	ACTIVE	SO	PS	8	2000	Green (RoHS & no Sb/Br)	CU NIPDAU	Level-1-260C-UNLIM
SN75140PSRG4	ACTIVE	SO	PS	8	2000	Green (RoHS & no Sb/Br)	CU NIPDAU	Level-1-260C-UNLIM

⁽¹⁾ The marketing status values are defined as follows:

ACTIVE: Product device recommended for new designs.

LIFEBUY: TI has announced that the device will be discontinued, and a lifetime-buy period is in effect.

NRND: Not recommended for new designs. Device is in production to support existing customers, but TI does not recommend using this part in a new design.

PREVIEW: Device has been announced but is not in production. Samples may or may not be available.

OBSOLETE: TI has discontinued the production of the device.

⁽²⁾ Eco Plan - The planned eco-friendly classification: Pb-Free (RoHS), Pb-Free (RoHS Exempt), or Green (RoHS & no Sb/Br) - please check <http://www.ti.com/productcontent> for the latest availability information and additional product content details.

TBD: The Pb-Free/Green conversion plan has not been defined.

Pb-Free (RoHS): TI's terms "Lead-Free" or "Pb-Free" mean semiconductor products that are compatible with the current RoHS requirements for all 6 substances, including the requirement that lead not exceed 0.1% by weight in homogeneous materials. Where designed to be soldered at high temperatures, TI Pb-Free products are suitable for use in specified lead-free processes.

Pb-Free (RoHS Exempt): This component has a RoHS exemption for either 1) lead-based flip-chip solder bumps used between the die and package, or 2) lead-based die adhesive used between the die and leadframe. The component is otherwise considered Pb-Free (RoHS compatible) as defined above.

Green (RoHS & no Sb/Br): TI defines "Green" to mean Pb-Free (RoHS compatible), and free of Bromine (Br) and Antimony (Sb) based flame retardants (Br or Sb do not exceed 0.1% by weight in homogeneous material)

⁽³⁾ MSL, Peak Temp. -- The Moisture Sensitivity Level rating according to the JEDEC industry standard classifications, and peak solder temperature.

Important Information and Disclaimer: The information provided on this page represents TI's knowledge and belief as of the date that it is provided. TI bases its knowledge and belief on information provided by third parties, and makes no representation or warranty as to the accuracy of such information. Efforts are underway to better integrate information from third parties. TI has taken and continues to take reasonable steps to provide representative and accurate information but may not have conducted destructive testing or chemical analysis on incoming materials and chemicals. TI and TI suppliers consider certain information to be proprietary, and thus CAS numbers and other limited information may not be available for release.

In no event shall TI's liability arising out of such information exceed the total purchase price of the TI part(s) at issue in this document sold by TI to Customer on an annual basis.

TAPE AND REEL INFORMATION



QUADRANT ASSIGNMENTS FOR PIN 1 ORIENTATION IN TAPE



*All dimensions are nominal

Device	Package Type	Package Drawing	Pins	SPQ	Reel Diameter (mm)	Reel Width W1 (mm)	A0 (mm)	B0 (mm)	K0 (mm)	P1 (mm)	W (mm)	Pin1 Quadrant
SN75140PSR	SO	PS	8	2000	330.0	16.4	8.2	6.6	2.5	12.0	16.0	Q1

TAPE AND REEL BOX DIMENSIONS



*All dimensions are nominal

Device	Package Type	Package Drawing	Pins	SPQ	Length (mm)	Width (mm)	Height (mm)
SN75140PSR	SO	PS	8	2000	346.0	346.0	33.0

MECHANICAL DATA

PS (R-PDSO-G8)

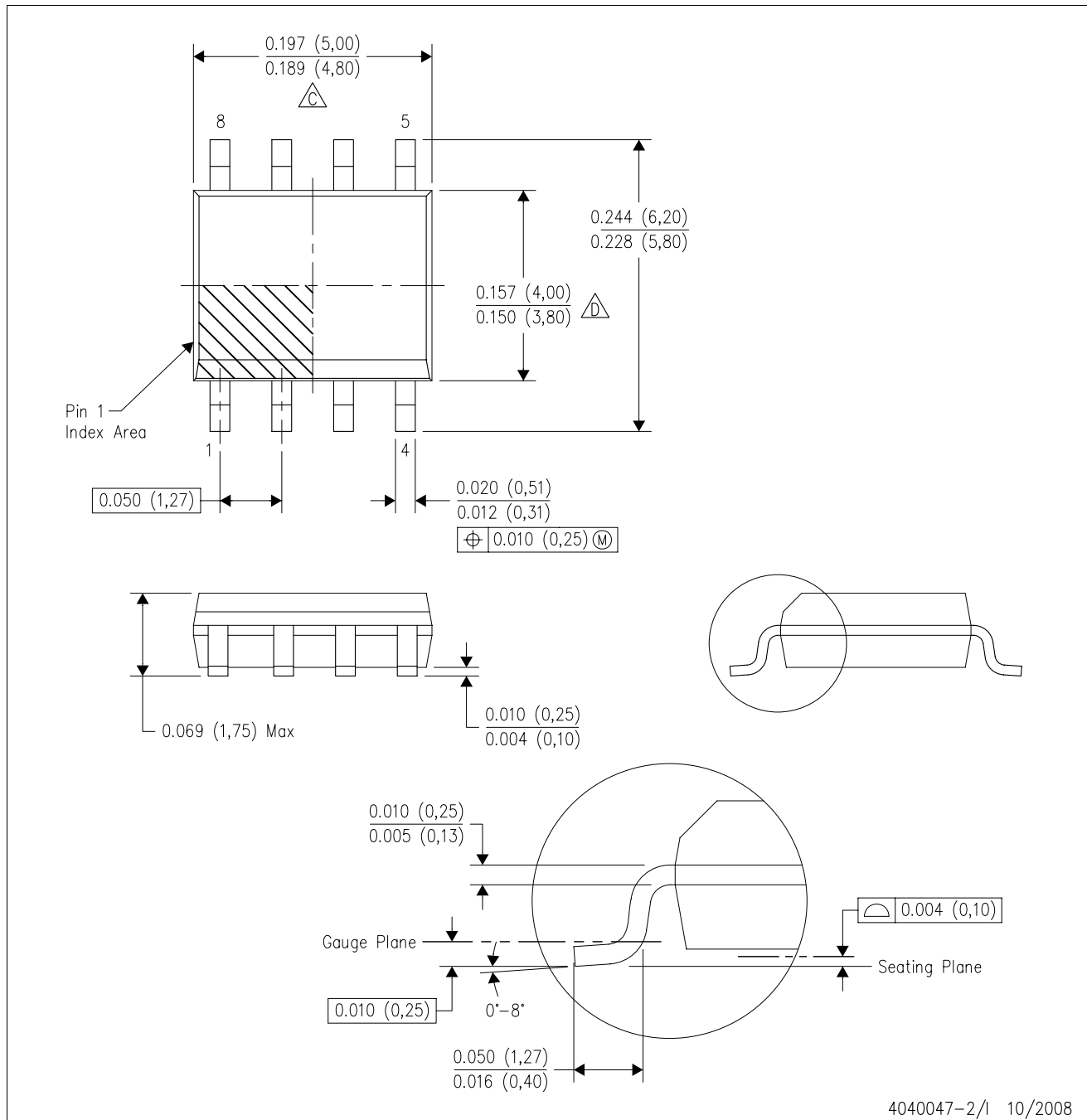
PLASTIC SMALL-OUTLINE PACKAGE



- NOTES:
- A. All linear dimensions are in millimeters.
 - B. This drawing is subject to change without notice.
 - C. Body dimensions do not include mold flash or protrusion, not to exceed 0,15.

D (R-PDSO-G8)

PLASTIC SMALL-OUTLINE PACKAGE



- NOTES:
- A. All linear dimensions are in inches (millimeters).
 - B. This drawing is subject to change without notice.
 - △ C. Body length does not include mold flash, protrusions, or gate burrs. Mold flash, protrusions, or gate burrs shall not exceed .006 (0,15) per end.
 - △ D. Body width does not include interlead flash. Interlead flash shall not exceed .017 (0,43) per side.
 - E. Reference JEDEC MS-012 variation AA.

P (R-PDIP-T8)

PLASTIC DUAL-IN-LINE



- NOTES: A. All linear dimensions are in inches (millimeters).
 B. This drawing is subject to change without notice.
 C. Falls within JEDEC MS-001

For the latest package information, go to http://www.ti.com/sc/docs/package/pkg_info.htm



JG (R-GDIP-T8)

CERAMIC DUAL-IN-LINE



- NOTES: A. All linear dimensions are in inches (millimeters).
 B. This drawing is subject to change without notice.
 C. This package can be hermetically sealed with a ceramic lid using glass frit.
 D. Index point is provided on cap for terminal identification.
 E. Falls within MIL STD 1835 GDIP1-T8

IMPORTANT NOTICE

Texas Instruments Incorporated and its subsidiaries (TI) reserve the right to make corrections, modifications, enhancements, improvements, and other changes to its products and services at any time and to discontinue any product or service without notice. Customers should obtain the latest relevant information before placing orders and should verify that such information is current and complete. All products are sold subject to TI's terms and conditions of sale supplied at the time of order acknowledgment.

TI warrants performance of its hardware products to the specifications applicable at the time of sale in accordance with TI's standard warranty. Testing and other quality control techniques are used to the extent TI deems necessary to support this warranty. Except where mandated by government requirements, testing of all parameters of each product is not necessarily performed.

TI assumes no liability for applications assistance or customer product design. Customers are responsible for their products and applications using TI components. To minimize the risks associated with customer products and applications, customers should provide adequate design and operating safeguards.

TI does not warrant or represent that any license, either express or implied, is granted under any TI patent right, copyright, mask work right, or other TI intellectual property right relating to any combination, machine, or process in which TI products or services are used. Information published by TI regarding third-party products or services does not constitute a license from TI to use such products or services or a warranty or endorsement thereof. Use of such information may require a license from a third party under the patents or other intellectual property of the third party, or a license from TI under the patents or other intellectual property of TI.

Reproduction of TI information in TI data books or data sheets is permissible only if reproduction is without alteration and is accompanied by all associated warranties, conditions, limitations, and notices. Reproduction of this information with alteration is an unfair and deceptive business practice. TI is not responsible or liable for such altered documentation. Information of third parties may be subject to additional restrictions.

Resale of TI products or services with statements different from or beyond the parameters stated by TI for that product or service voids all express and any implied warranties for the associated TI product or service and is an unfair and deceptive business practice. TI is not responsible or liable for any such statements.

TI products are not authorized for use in safety-critical applications (such as life support) where a failure of the TI product would reasonably be expected to cause severe personal injury or death, unless officers of the parties have executed an agreement specifically governing such use. Buyers represent that they have all necessary expertise in the safety and regulatory ramifications of their applications, and acknowledge and agree that they are solely responsible for all legal, regulatory and safety-related requirements concerning their products and any use of TI products in such safety-critical applications, notwithstanding any applications-related information or support that may be provided by TI. Further, Buyers must fully indemnify TI and its representatives against any damages arising out of the use of TI products in such safety-critical applications.

TI products are neither designed nor intended for use in military/aerospace applications or environments unless the TI products are specifically designated by TI as military-grade or "enhanced plastic." Only products designated by TI as military-grade meet military specifications. Buyers acknowledge and agree that any such use of TI products which TI has not designated as military-grade is solely at the Buyer's risk, and that they are solely responsible for compliance with all legal and regulatory requirements in connection with such use.

TI products are neither designed nor intended for use in automotive applications or environments unless the specific TI products are designated by TI as compliant with ISO/TS 16949 requirements. Buyers acknowledge and agree that, if they use any non-designated products in automotive applications, TI will not be responsible for any failure to meet such requirements.

Following are URLs where you can obtain information on other Texas Instruments products and application solutions:

Products

Amplifiers	amplifier.ti.com
Data Converters	dataconverter.ti.com
DSP	dsp.ti.com
Clocks and Timers	www.ti.com/clocks
Interface	interface.ti.com
Logic	logic.ti.com
Power Mgmt	power.ti.com
Microcontrollers	microcontroller.ti.com
RFID	www.ti-rfid.com
RF/IF and ZigBee® Solutions	www.ti.com/lprf

Applications

Audio	www.ti.com/audio
Automotive	www.ti.com/automotive
Broadband	www.ti.com/broadband
Digital Control	www.ti.com/digitalcontrol
Medical	www.ti.com/medical
Military	www.ti.com/military
Optical Networking	www.ti.com/opticalnetwork
Security	www.ti.com/security
Telephony	www.ti.com/telephony
Video & Imaging	www.ti.com/video
Wireless	www.ti.com/wireless

Mailing Address: Texas Instruments, Post Office Box 655303, Dallas, Texas 75265
Copyright © 2008, Texas Instruments Incorporated